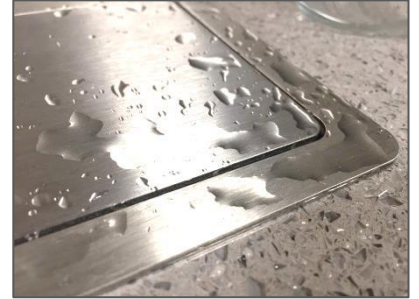




also available
with twin USB
↙



FULLY SPLASH-TESTED AND APPROVED
FOR USE IN WORKTOP LOCATIONS



UL943A 2 litre (½ Gallon)
Saline Liquid Test



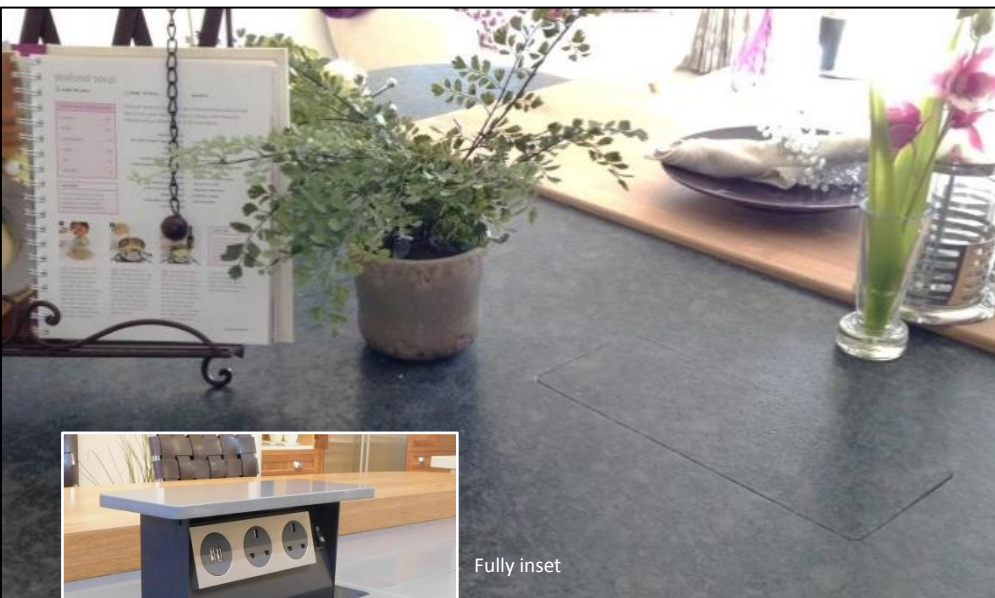
The S-Box™ Power Box is beautifully simple, but is also small and robust. It is constructed from solid steel, is easy to install, and is built to perform in the toughest of kitchen environments. Its **instant** “pop-up” action delivers three British Standard power outlets **and** a reachable on/off switch at the simple touch of a finger.



HDMI or RJ45
module options
are available
instead of USB

For that ultimate ‘designer touch’ it gets even better! . . . because the S-Box™ patented design also includes the built-in ability to *customise* the unit’s top with a piece of matching counter material . . . and still be able to lift automatically!

The S-Box™ system is therefore the only pop-up countertop system that can be disguised into its surroundings. A true ‘chameleon’ product . . . where the possibilities are endless!



Fully inset



Design examples



Surface mounted with simple top change

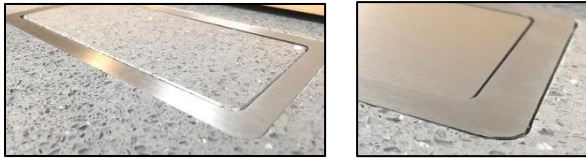


Independently tested by FIRA (Furniture Industry Research Association) to 75,000 sequential operations.
At 4 x uses per day that’s over 50 years!

WAYS OF FITTING YOUR S-BOX



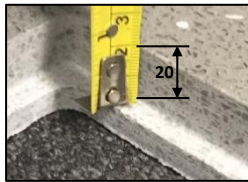
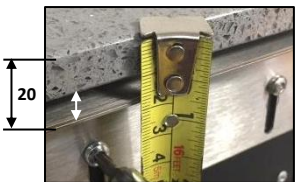
With or without custom top



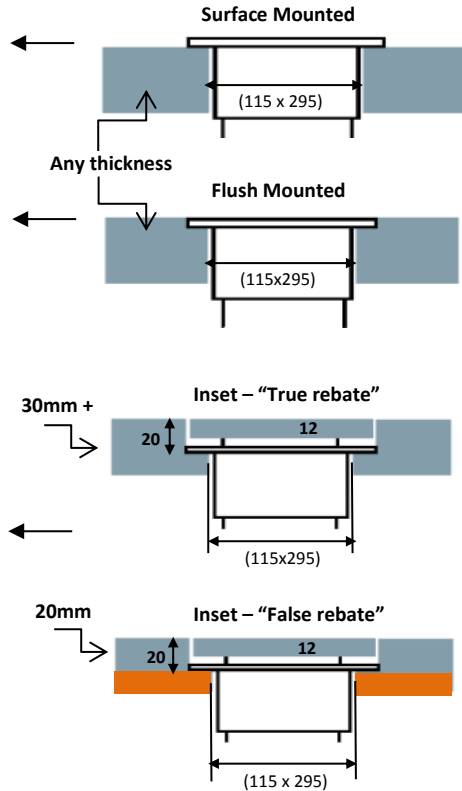
With or without custom top



The S-Box™ mounting collar is adjustable to accommodate up to 12mm material, while still allowing for the press down action and collar dimension (8mm) within the 20mm rebate



NOTE: ANY 'BELOW-SURFACE' INSTALLATION **MUST** BE AT -20mm



Please note:
IN **ALL** METHODS INVOLVING A CUSTOM TOP, THE STAINLESS STEEL ONE MUST BE REMOVED FIRST. THE MAXIMUM THICKNESS OF **ANY** CUSTOM TOP IS 12mm.

Surface Mounted in shallow 2.5mm rebate for a 'flush' finish

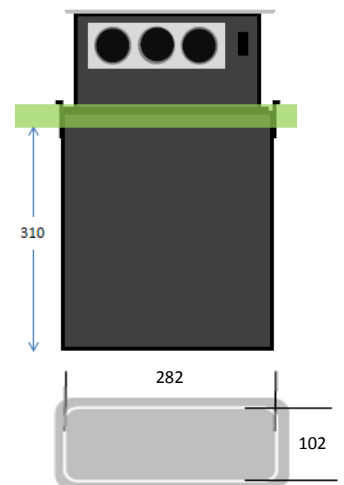
Set on 8mm wide rebate at 20mm depth below surface.

Set on 'false' rebate - created by use of a second material below the 20mm one.

WE RECOMMEND THAT 'CUT-OUT' PROCESS AND/OR ANY ALTERNATIVE 'CUSTOM TOP' SHOULD BE DONE BY YOUR WORKTOP PROVIDER

THIS UNIT IS A 13A DEVICE. IT IS A SUPPLEMENTARY POWER FACILITY. IT SHOULD BE CONNECTED TO 13AMP CIRCUIT FOR ITS SUPPLY BY BEING HARDWIRED INTO THE MAINS CIRCUIT (VIA A JUNCTION BOX) OR VIA A B.S. PLUG BEING FITTED TO THE 2m CABLE TAIL PROVIDED. IN BOTH CIRCUMSTANCES WE RECOMMEND THAT THE CIRCUIT INCLUDES ITS OWN CIRCUIT BREAKER AS PER CURRENT REGULATIONS. PLEASE USE A QUALIFIED ELECTRICIAN FOR FINAL CONNECTIONS.

At last! There is a 'designer' solution for countertop power!



Just fit it your way!



S-Box™ is a registered trademark of Cardinal IP Ltd
US Patent No 8899701
CANADA Patent Ref 49269-3018
Other Global patents pending

www.the-sbox.com

A British Design Innovation

POWER BOX is part of the S-Box™ range of global "pop-up" power solutions

S-Box™ by Cardinal Innovations Ltd West Yorkshire ENGLAND

Office: +44 (0) 1274 386820 Email: sales@the-sbox.com