

# S-BOX™

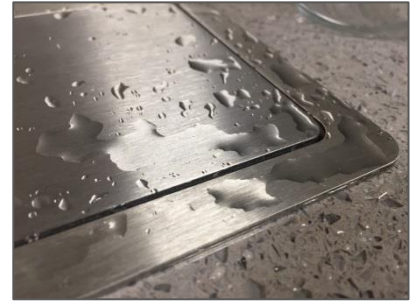
MINI – TR 15a

## 2-Port “Pop-up” Power Unit for Countertops and Interior Design



2 x Tamper Resistant outlets and safety switch

NEC 406.5(E) compliant  
FULLY SPLASH-TESTED AND APPROVED FOR USE IN WET LOCATIONS



UL943A 2 litre (½ Gallon) Saline Liquid Test



NB: This test is the very latest addition to UL943A - to be published in 2018



The S-Box™ Mini-TR unit is beautifully simple, but is also small and robust. It is constructed from solid steel, and is built to perform in the toughest of kitchen environments.

Its **instant** “pop-up” action delivers two tamper-resistant power outlets **and** a reachable on/off switch, all at the simple touch of a finger.

For that ultimate ‘designer touch’ it gets even better! . . . because the S-Box™ Patent also includes the unique ability to *customise* the unit’s top with a piece of matching counter material . . . and still be able to lift automatically!

The S-Box™ system is therefore the only ‘pop-up’ countertop system that can be disguised into its surroundings. A true ‘chameleon’ product . . . where the possibilities are endless!

↓ EXAMPLES OF ‘CHAMELEON’ INSTALLATION OPTIONS ↓



Inset mounted – with ‘custom top’



Surface mounted - with ‘custom top’



NOTE: ALL CUTTING PROCESSES SHOULD BE DONE BY YOUR COUNTERTOP PROVIDER

## WAYS OF FITTING YOUR S-BOX



Surface Mount - with or without custom top

Standard

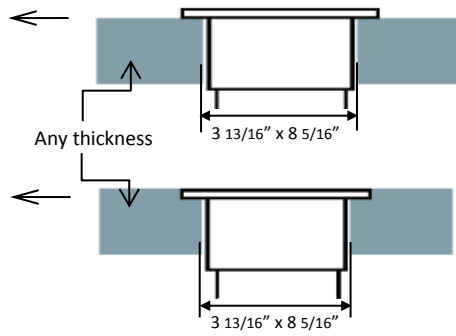
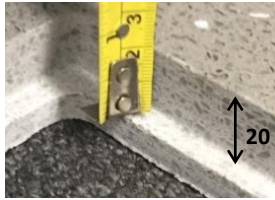


Flush

Inset Mount - with custom top



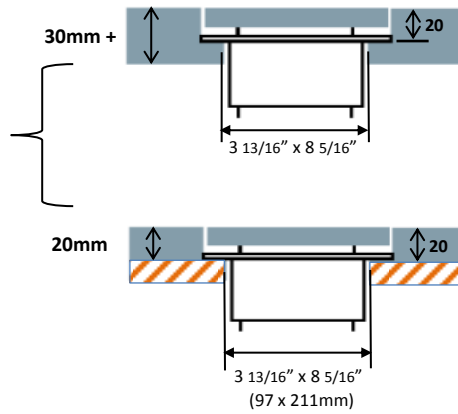
The S-Box mounting collar is adjustable to accommodate up to 1/2" (12.5mm) custom top material.



**Surface Mounted**  
Drop into rectangular cut-out hole



**Surface Mounted (flush)**  
As above but set in into a shallow 2.5mm rebate for a 'flush' finish.



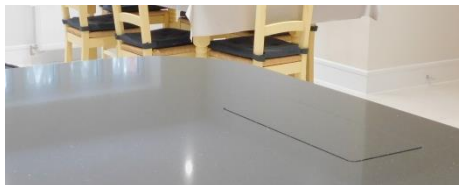
**Inset - "True rebate"** (e.g. GRANITE)  
Installed at 20mm below surface - on 8mm wide rebate

**Inset - "False rebate"** (e.g. QUARTZ)  
Installed at 20mm below surface - sitting on second material

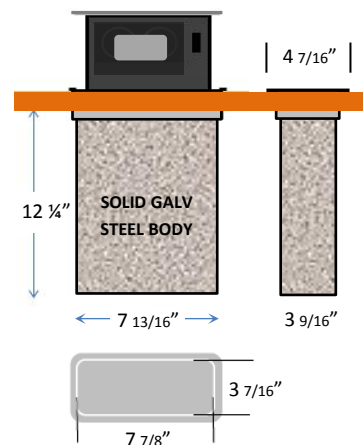
ALL 'CUT-OUT' PROCESSES AND/OR ANY 'CUSTOM TOP' FABRICATION SHOULD BE DONE BY YOUR COUNTERTOP PROVIDER

THIS UNIT IS A 15A DEVICE. IT IS A SUPPLEMENTARY POWER FACILITY. AS REQUIRED BY NEC and U.L. STANDARDS IT SHOULD BE FITTED DIRECTLY INTO A GFCI RECEPTACLE or GFCI BRANCH CIRCUIT.  
THIS PRODUCT IS "Suitable for Installation in a Kitchen or Bathroom counter top surface" (UL Certification Statement 2017).  
IT HAS ALSO BEEN INDEPENDENTLY TESTED BY FIRA (Furniture Industry Research Association) TO 75,000 SEQUENTIAL OPERATIONS.

## At last! There is a 'designer' solution for countertop power!



**Just fit it your way!**



MINI TR is part of the S-Box™ range of global "pop-up" power solutions  
S-Box™ by Cardinal Innovations Ltd West Yorkshire ENGLAND  
Office: +44 (0) 1274 386820 Email: sales@the-sbox.com

S-Box™ is a registered trademark of Cardinal IP Ltd  
US Patent No 8899701  
CANADA Patent Ref 49269-3018  
Other Global patents pending

**www.the-sbox.com**

A British Design Innovation