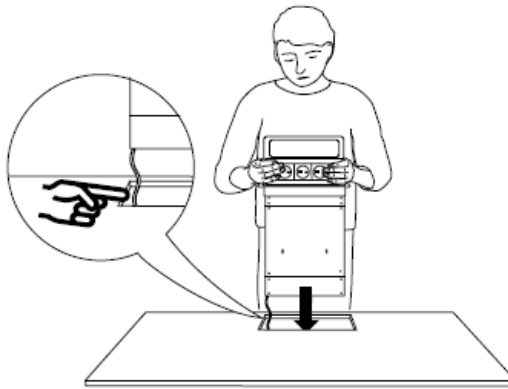
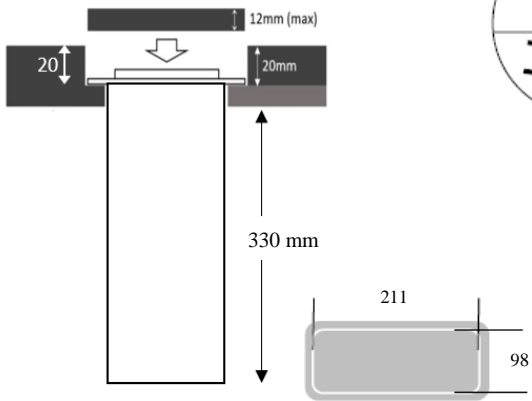


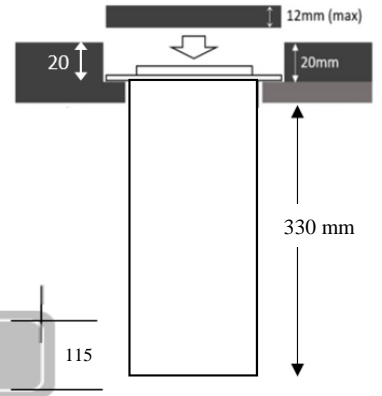
# ON-SITE INSTRUCTIONS



## 2-PORT MINI



## 3-PORT



**CHECKLIST OF PARTS SUPPLIED WITH EVERY S-BOX™ CHAMELEON  
PLEASE ENSURE THAT THESE REMAIN WITH THE UNIT AND ARE NOT  
SEPARATED PRIOR TO INSTALLATION**

Stainless Steel drop-in cover

Black pattrass skirt

Pack of Steel Weights



**2-PORT (MINI)**

Pack of Steel Weights



**3-PORT**

12mm TOP

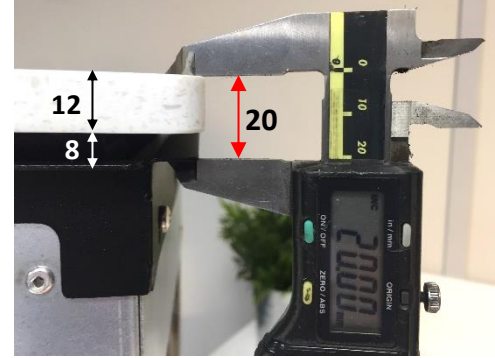
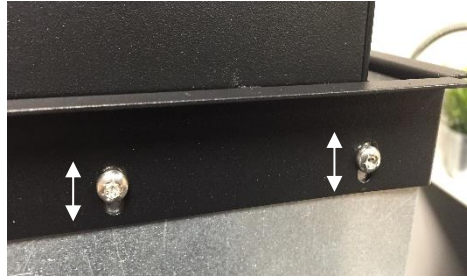
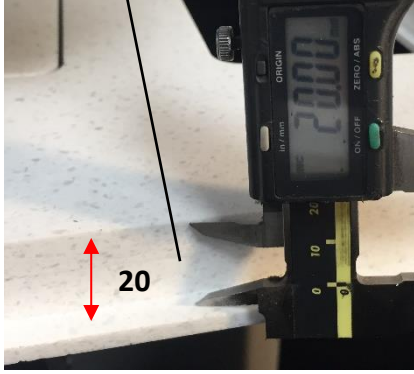


WITH YOUR 20mm REBATE HOLE AND 12mm CUSTOM TOP NOW DELIVERED TO SITE, YOU ARE NOW READY FOR THE S-BOX™ UNIT TO BE INSTALLED! 😊

THE 20mm REBATE

## 1. ON SITE CROSS-CHECK

THE COLLAR IS ADJUSTABLE TO ENSURE THAT THE UNIT AND ITS TOP ARE "4-SIDE PARALLEL" & FIT INTO THE 20mm REBATE



*Please check and set this before installation*

## 2. ON SITE LIFT-ADJUSTMENT

ALL S-BOX™ UNITS FEATURE A PATENTED & ADJUSTABLE "ZERO-ENERGY" LIFT SYSTEM

This is actually a counterbalance, operating in its own lift-shaft, and which is released to work by way of the catch. Based on the weight of the custom top material, and before the unit is installed into its rebate, this counterbalance will require subtraction or addition of weight for the individual unit to operate correctly.

To do this, place the Custom Top temporarily on top of the box >

Then open the front plate as shown below: ↓

Info:  
These fixings are  
T20 STAR screws >



**You MUST now add the required amount of extra weights into the weight tray to establish full lift height (ahead of the new top being added more permanently later**



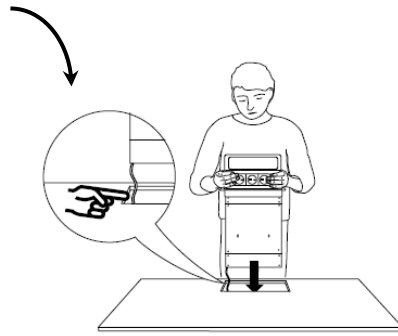
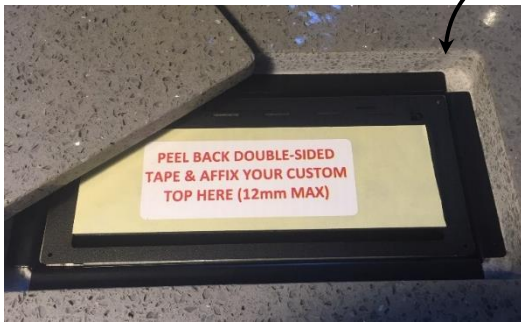
**A PACK OF COUNTERWEIGHTS HAS BEEN PROVIDED, SO THAT THE DENSITY OF ANY 12mm "CUSTOM TOP" MATERIAL CAN BE OFFSET TO ESTABLISH THE UNIT'S SELF-LIFT.**

**PLEASE ADD WEIGHTS AS FOLLOWS:**

- 12mm CORIAN® - Add 0-2 additional weights
- 12mm QUARTZ - Add 4-8 additional weights
- 12mm GRANITE - Add 6-10 additional weights
- 12mm DEKTON® - Add 10-12 additional weights

NB. These Counterweights are SQUARE for 3-PORT and RECTANGULAR for MINI

After refastening the door plate you can now introduce the S-Box™ unit into its rebated hole.



The black collar is perfectly OK on its own, and is deliberately designed to suit nil or very tight radius corners from the cutting process

As an option, specifically for fuller radius corners (eg 8mm+), a Steel drop-in cover plate is also provided, to fill in the corner curves of the rebate.

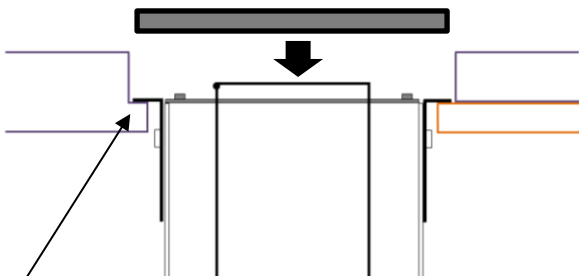


For lightweight materials that are dry and free from dust, (like Timber or Corian) peel back the tape and place the custom top into position. Press it firmly home. Allow 12hrs for adhesive to bond and cure.

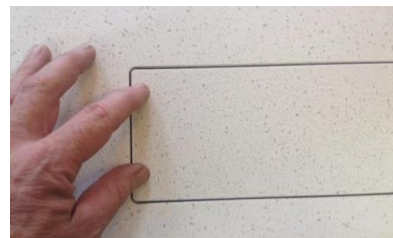


**\*PLEASE NOTE \* ↓**

**FOR STONE (GRANITE and QUARTZ) AND DUSTY MATERIAL PLEASE ALSO ADD 3-4 OF SPOTS OF MASTIC TO THE STEEL LID FOR EXTRA SECURE ADHESION.**



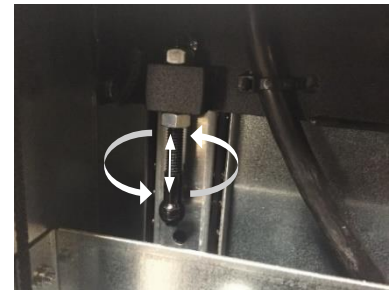
**\* DO NOT USE ANY MASTIC OR ADHESIVE HERE. UNIT MUST BE REMOVEABLE IF REQUIRED. IT USES ITS OWN WEIGHT FOR STABILITY.**



**THE COMPLETED UNIT SHOULD NOT BE PERMANENTLY FIXED INTO ITS REBATE. ITS OWN WEIGHT WILL KEEP IT IN POSITION. THIS ENSURES THAT IN THE EVENT THAT THE UNIT NEEDS TO BE EXTRACTED FOR ANY REASON IT CAN BE LIFTED OUT THROUGHT THE SURFACE.**

**\*\* It is Ok to use a couple of small dabs of mastic below the collar but unit must still be able to be extracted \*\***

Any final “fine-tuning” of levels, if still required, can be achieved by adjusting the internal catch’s male ball position, so that in the closed (*catch-engaged*) down position the Custom Top and the adjacent surface are perfect and level. By twisting the threaded ball part, and holding the top nut, the position of the ball can be raised or lowered by the tiniest of amounts. This can be found inside the base unit.



All S-Box™ products are complete sealed units with a 2.4m cable for connection to mains power via a junction box. This cable can also receive a simple plug if preferred!  
All electrical connections should be carried out by a fully Qualified Electrician

